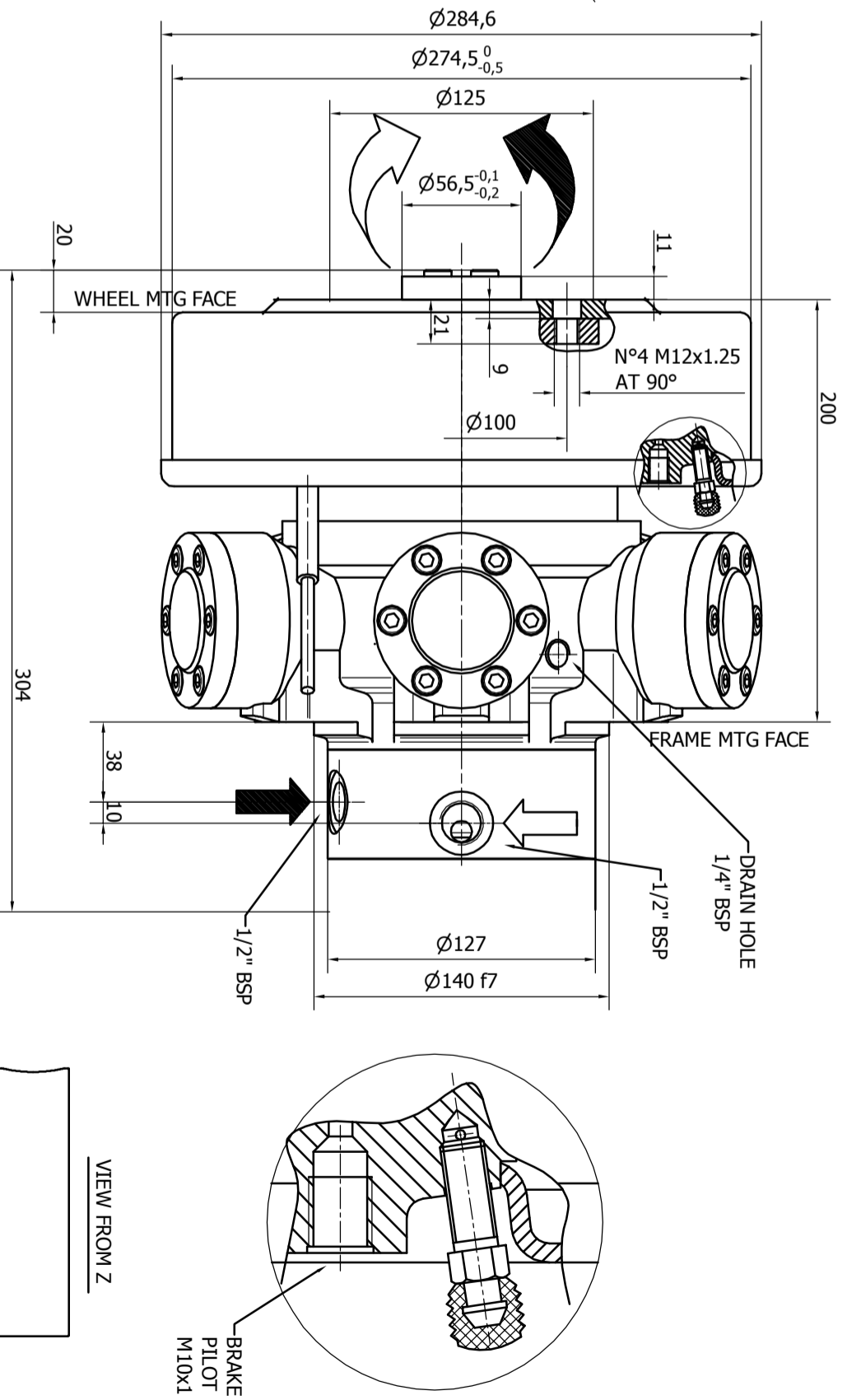


**MOTOR PERFORMANCE**

DISPLACEMENT	157 cc/Rev
THEORETICAL TORQUE	2.5 Nm/bar
CONT. PRESSURE	250 bar
INT. PRESSURE	300 bar
PEAK. PRESSURE	350 bar
MAX. SPEED	950 Rpm
MAX. DRAIN PRESSURE	6 bar
MAX. POWER	54HP/40KW
APPROXIMATED DRY WEIGHT	60 Kg
TEMP. INTERVAL	-30 + 70°C



**POSITIVE BRAKE PERFORMANCE**

MAXIMUM BRAKING TORQUE	1600 Nm
MAXIMUM PILOT PRESSURE	100 bar
BRAKING TORQUE	16 Nm/bar

