

30 mm COIL SERIES

C30 COILS

Ø 13 mm-18 W; 35 VA

1 DESCRIPTION

- Magnetic circuit encapsulated with fibre-glass reinforced nylon.
- Standard colour black.
- Metallic parts protected against oxidation.

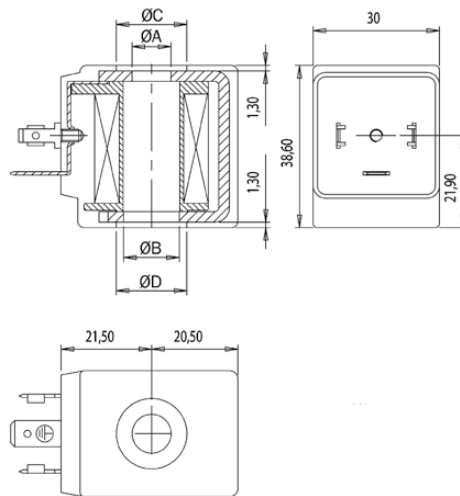
2 ORDERING CODE

(1)	(2)	(3)
C30	-	-

(1) C30 : Coil Type

(2) Electric options: See table 5

(3) Connection options: see 4

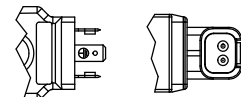
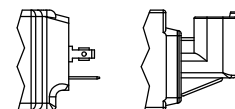


3 TECHNICAL DATA

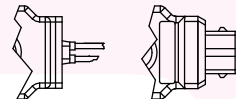
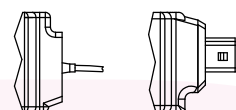
Typical nominal voltages	- 12-24VDC - 24-110-220VAC and RAC
Class F coil as from the IEC	85 standard
Class H wire	200°C
Duty cycle	ED 100% code, voltages, currents and power consumption.
see table for coils:	012C, 024C, 048C for VDC 024R, 110R, 220R for RAC (rectified alternate current)
Frequency	024/50, 110/50, 230/50 for AC at 50Hz 110/60, 220/60 for AC at 60Hz

4 CONNECTION OPTIONS

DIN 4365/A-ISO 4400 DEUTSCH



FLYING LEADS AMP JUNIOR



- no designation: DIN43650/A
- C: flying leads
- A: AMP Junior
- K: Kostal M24x1
- D: Deutsch connection

5 ELECTRIC OPTIONS/SIZES

Coil with ISO/DIN connector	voltage DC	nominal current (A)	resistance cold (Ω)	nominal power (W)	insulation class	øA (mm)	øC (mm)
C30-012C	V 12 DC	1,55	7,7	18,6	F	13,2	16,8
C30-024C	V 24 DC	0,8	31	19			
C30-024R	V 24 RAC	0,85	27	18,3			
C30-048C	V 48 DC	0,4	116	19			
C30-048R	V 48 RAC	0,4	106	17,3			
C30-110R	V 110-115 RAC	0,16	600	16			
C30-220R	V 220-230 RAC	0,08	2500	16			
	AC	(*)		(VA)			
C30-024/50	24V 50Hz	0,9	5,3	35	F	13,2	16,8
C30-110/50	110-115V 50Hz	0,2	108				
C30-230/50	220-230V 50Hz	0,1	438				
C30-110/60	110-115V 60Hz	0,3	92				
C30-220/60	220-230V 60Hz	0,15	375				

(*) hold valves: on AC coils inrush values of current and power can reach up to 3,5 times the hold valve.