



Fixed displacement bent axis piston pumps, for truck applications.



Replaces: STR 02 T A

DISPLACEMENTS

From	2.49 in ³ /rev 40.9 cm ³ /rev
To	6.71 in ³ /rev 110 cm ³ /rev



MAX. SPEED

* 2500 rpm

PRESSURE

Max. continuous	5075 psi (350 bar)
Max. peak	5800 psi (400 bar)

- Compact design.
- High volumetric, mechanical and overall efficiency.
- Low noise level.
- Reliability.
- Clockwise or anti-clockwise rotation turning the end cover 180°.

APPLICATION

High pressure

SECTOR

Mobil hydraulic

STRADA pumps are ideally suited for PTOs applications in vehicles. These pumps are available with different flange options.

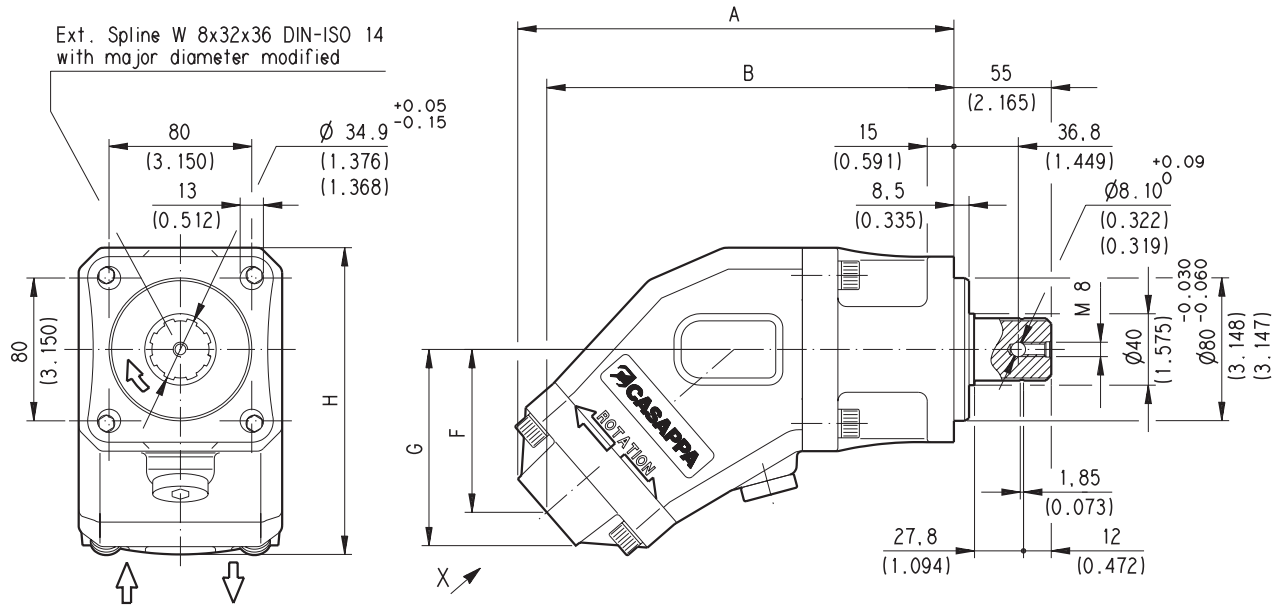
Pump type		BAP30•40	BAP30•50	BAP30•63	BAP30•71	BAP30•80	BAP35•80	BAP35•110
Displacement	in ³ /rev (cm ³ /rev)	2.49 (40.9)	3.06 (50.1)	3.84 (63)	71.6 (4.37)	4.78 (78.3)	4.83 (79.1)	6.71 (110)
Max. pressure	psi (bar)	cont.	5075 (350)	5075 (350)	5075 (350)	4568 (315)	4568 (315)	4350 (300)
		peak	5800 (400)	5800 (400)	5800 (400)	5075 (350)	5075 (350)	5800 (400)
Max. selfpriming speed	rpm	1850	1700	1600	1300	1300	1300	1300
Max. speed	rpm	2500	2400	2200	2000	2000	2200	2000
Mass	lbs (kg)	22.05 (10)	22.05 (10)	22.05 (10)	22.05 (10)	22.05 (10)	35.28 (16)	37.49 (17)

cont. = continuous

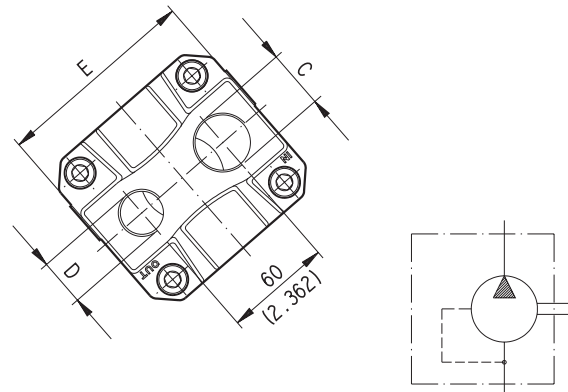
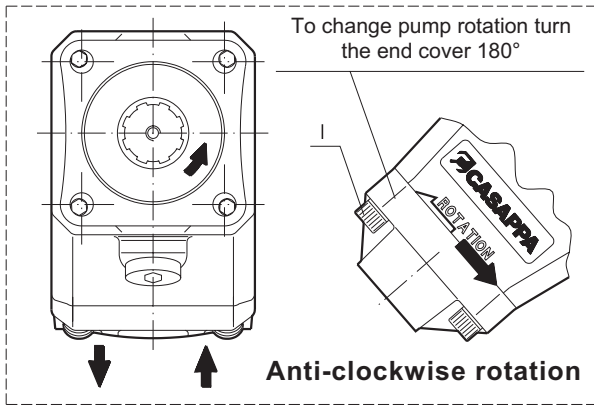
Direction of rotation (looking on drive shaft)	Clockwise or anti-clockwise rotation
Inlet pressure range	25 in Hg (0.85 bar abs.) ÷ 29 psi (2 bar abs.)
Operating temperature	176 °F (80 °C)
Fluid	Mineral oil based hydraulic fluids to DIN 51524
Viscosity range	From 58 SSU (10 cSt) to 1819 SUS (400 cSt) recommended 4546 SSU (1000 cSt) tolerated for cold starting
Filtering requirement	Cleanliness grade 8 according to class NAS 1638

HYDRAULIC PISTON PUMPS ISO STANDARD

16 Z0



X view



Pump type	A	B	C	D	E	F	G	H	I
	mm (in)	mm (in)	IN - BSPP Nm (lbf in)	OUT - BSPP Nm (lbf in)	mm (in)	mm (in)	mm (in)	mm (in)	Nm (lbf in)
BAP 30•40	244 (9.606)	228 (8.976)	G 1 50 ^{+2,5} (443) (465)	G 3/4 90 ⁺⁵ (797) (841)	116 (4.567)	91 (3.583)	110 (4.331)	173 (6.811)	40 ⁺⁵ (354) (398)
BAP 30•50									
BAP 30•63									
BAP 30•71									
BAP 30•80									
BAP 35•80									
BAP 35•110	269 (10.591)	251 (9.882)	G 1 1/4 60 ⁺⁵ (531) (575)	G 1 130 ⁺¹⁰ (1151) (1239)	127 (5.000)	108 (4.252)	129 (5.079)	198 (7.795)	70 ⁺⁵ (620) (664)

Rotation: S=anti-clockwise - D=clockwise

How to order

BAP 30•40 S0 - 16 Z0 - P GF/GE - N

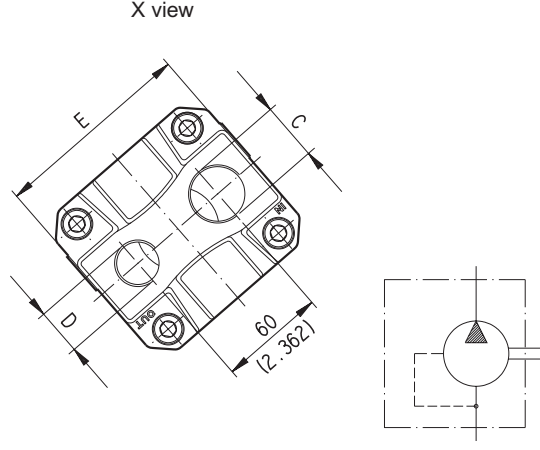
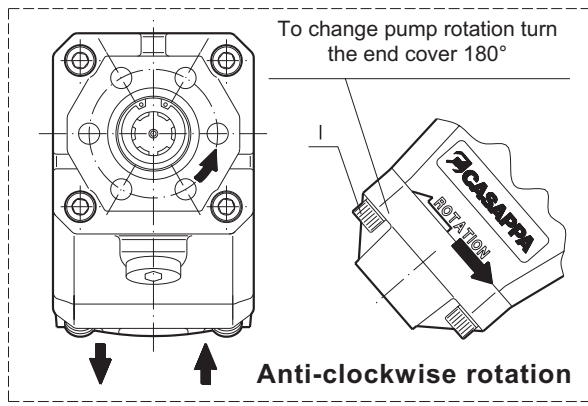
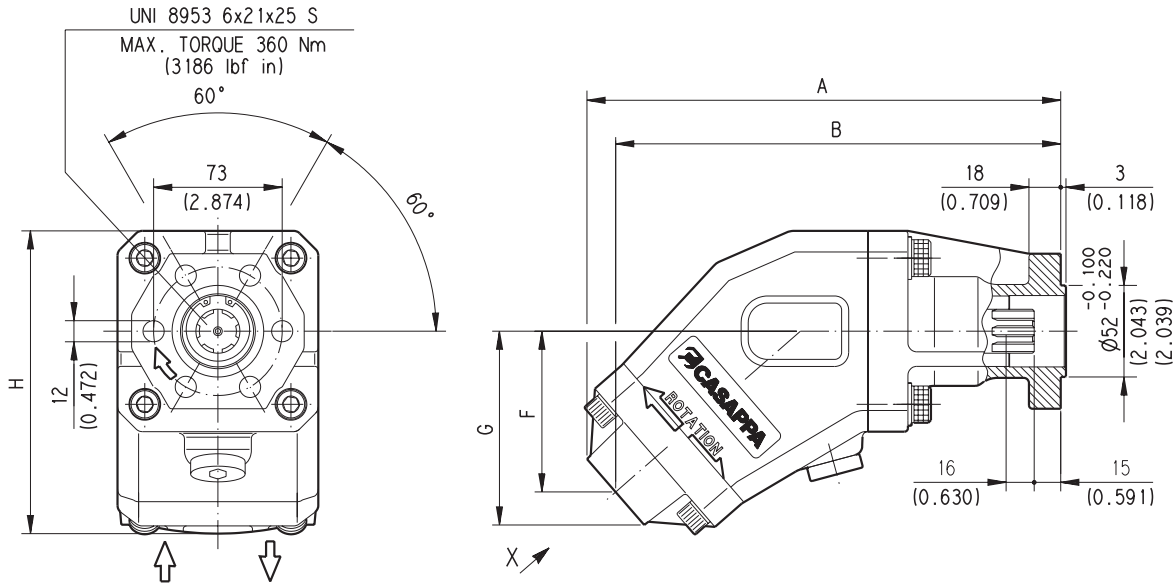
Replaces: 02/06.99

03/09.02

HYDRAULIC PISTON PUMPS ITALIAN STANDARD

19 T1

Replaces: 02/06.99



D026-D24/0902

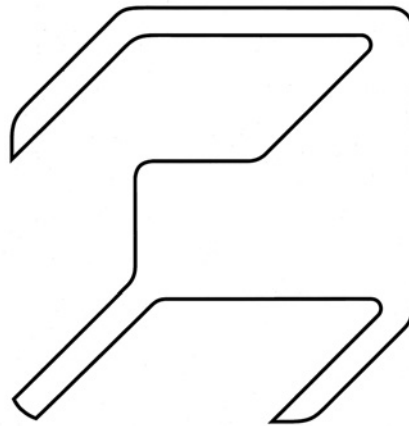
03/09.02

Pump type	A	B	C	D	E	F	G	H	I
	mm (in)	mm (in)	IN - BSPP Nm (lbf in)	OUT - BSPP Nm (lbf in)	mm (in)	mm (in)	mm (in)	mm (in)	Nm (lbf in)
BAP 30•40	264 (10.394)	248 (9.764)	G 1 50 ^{+2,5} (443÷465)	G 3/4 90 ⁺⁵ (797÷841)	116 (4.567)	91 (3.583)	110 (4.331)	173 (6.811)	40 ⁺⁵ (354) (398)
BAP 30•50									
BAP 30•63									
BAP 30•71									
BAP 30•80									
BAP 35•80	294 (11.575)	276 (10.866)	G 1 1/4 60 ⁺⁵ (531÷575)	G 1 130 ⁺¹⁰ (1151÷1239)	127 (5.000)	108 (4.252)	129 (5.079)	198 (7.795)	70 ⁺⁵ (620) (664)

Rotation: S=anti-clockwise - D=clockwise

How to order

BAP 30•40 S0 - 19 T1 - P GF/GE - N



CASAPPA®

FLUID POWER DESIGN

CASAPPA S.p.A. - Parma - Italy - Tel.: + 39 0521 304111 - Fax: + 39 0521 804600

CASAPPA Corp. - Batavia, IL 60510 U.S.A. - Phone: 630 761-0041 - Fax: 630 761-0048

CASAPPA GmbH - Plüderhausen - Germany - Tel.: + 49 (0)7181 989830 - Fax: + 49 (0)7181 989831

CASAPPA SARL - La Rochelle - France - Tel.: + 33 (0)5 46372433 - Fax: + 33 (0)5 46423907

www.casappa.com
e-mail: info@casappa.com