

36 mm COIL SERIES

C36 COILS

Ø 13 mm-22 W

1 DESCRIPTION

- Magnetic circuit encapsulated with thermoplastic resins.
- Standard colour black.
- Metallic parts protected against oxidation.

2 ORDERING CODE

(1)	(2)	(3)	(4)
C36	-	-	-

(1) C36: Coil type

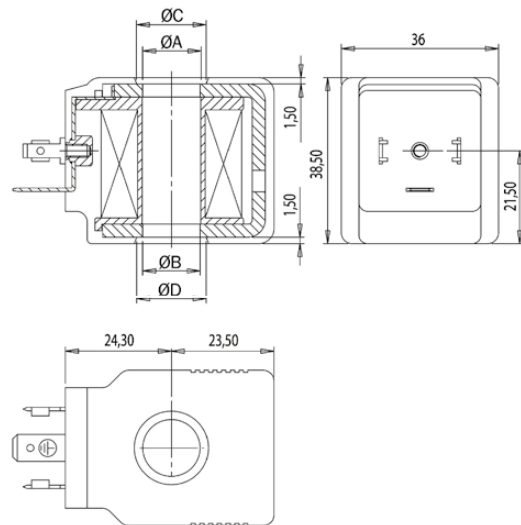
(2) Dimensions
no designation: standard ID
L: wide ID, see table 4

(3) Electric voltages:

- 012C
- 024C
- 024R
- 048R
- 110R
- 220R

(4) Connections:

- no designations: DIN 4365/A
- C: flying leads
- K: Kostal M27x1
- A: AMP Junior
- D: Deutsch connection



3 TECHNICAL DATA

Typical nominal voltages	- 12-24VDC - 24-110-220RAC
Class H coil as from the IEC	85 standard
Class H wire	200°C
Duty cycle	ED 100% code, voltages, currents and power consumption.
see table for coils:	012C, 024C, 048C for VDC 024R, 110R, 220R for RAC (rectified alternate current)

4 INTERNAL DIAMETER

	øA(mm)	øC(mm)
C36	13,2	17
C36L	14	17

5 TECHNICAL DATA

Coil with ISO/DIN connector	voltage DC	nominal current (A)	resistance cold (Ω)	nominal power (W)	insulation class
C36-012C	V 12 DC	1,9	6,3	22,8	H
C36-024C	V 24 DC	0,95	25,6	22,5	
C36-024R	V 24 RAC	1,05	20,2	23	
C36-048C	V 48 DC	0,47	102	22,6	
C36-110R	V 110-115 RAC	0,23	420	22,9	
C36-220R	V 220-230 RAC	0,11	1720	22,3	

DIN 4365/A-ISO 4400

DEUTSCH

FLYING LEADS

AMP JUNIOR

