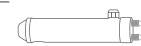


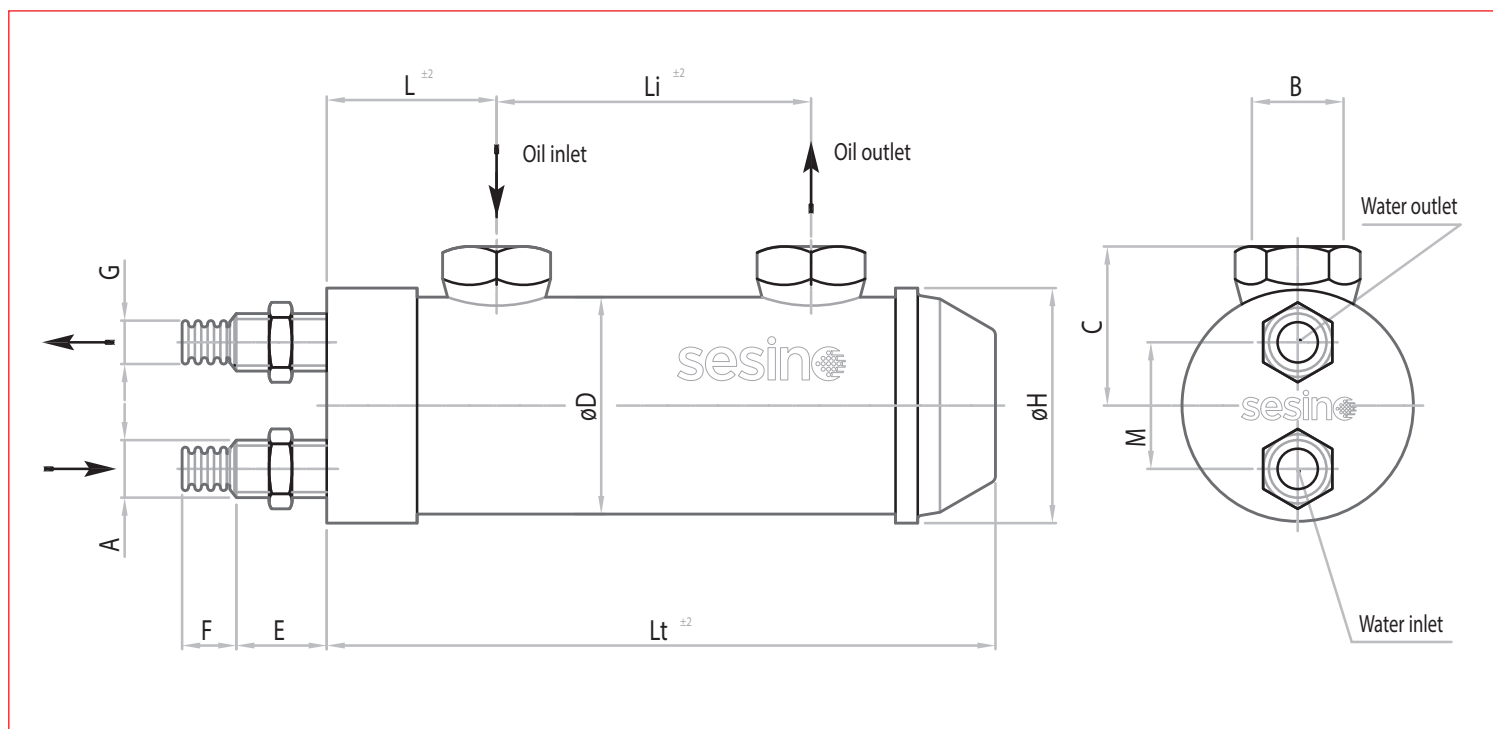
# T60-80 CB



CONSTRUCTION MATERIALS		
SHELL	TUBES	END COVERS
BRASS*	COPPER*	/

- Dimensions and technical characteristics are not binding

\*standard



TYPE	CODE	OIL FLOW l/min	WATER FLOW l/min	kW MIN water flow		kW MAX water flow		WEIGHT kg	DIMENSIONS											
				$\Delta T_m$ 25° C	$\Delta T_m$ 25° C	$\Delta T_m$ 25° C	$\Delta T_m$ 25° C		Lt	D	A	B	H	Li	G	M	C	L	F	E
T60 CB1	2SC60CB1	5-30	7,5 - 30	0,3	1,57	0,3	2,24	1,9	235	60	3/8" gas	1/2" gas	65	140	12	35	47	47	17	20
T60 CB2	2SC60CB2	5-30	7,5 - 30	0,4	2,44	0,61	3,48	2,6	355	60	3/8" gas	1/2" gas	65	260	12	35	47	47	17	20
T60 CB3	2SC60CB3	5-30	7,5 - 30	0,7	3,4	1	5,3	3,8	535	60	3/8" gas	1 1/2" gas	65	440	12	35	47	47	17	20
T80 CB1	2SC80CB1	25-50	7,5 - 30	2,33	2,94	2,9	3,89	3,2	255	80	1/2" gas	3/4" gas	85	120	17	45	65	60	20	20
T80 CB2	2SC80CB2	25-60	7,5 - 30	3,4	4,49	4,43	6,12	5,1	415	80	1/2" gas	3/4" gas	85	280	17	45	65	60	20	20
T80 CB3	2SC80CB3	30-80	7,5 - 30	5,95	7,3	8,13	10,5	8,0	665	80	1/2" gas	3/4" gas	85	530	17	45	65	60	20	20

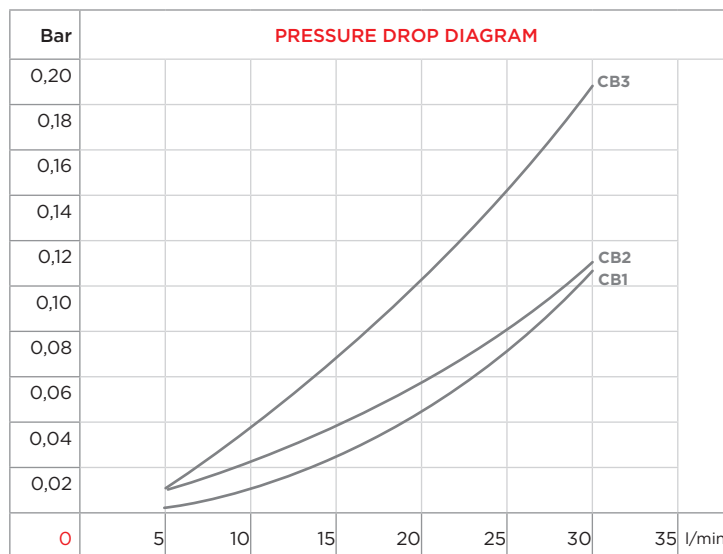
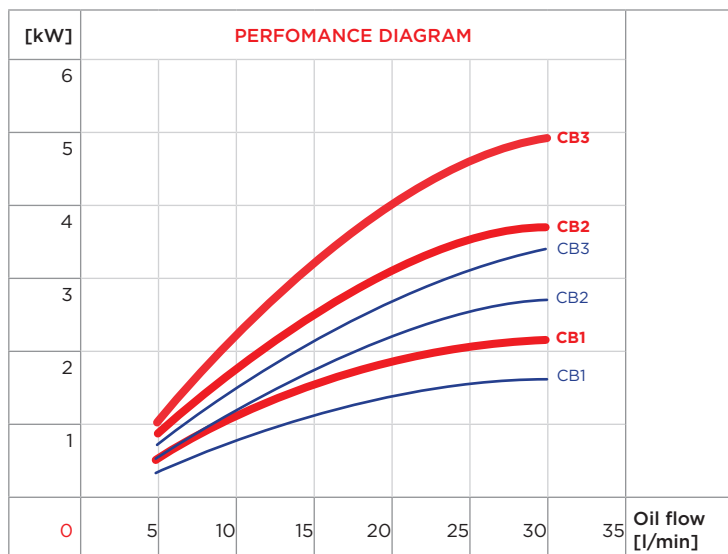
# T60-80 CB



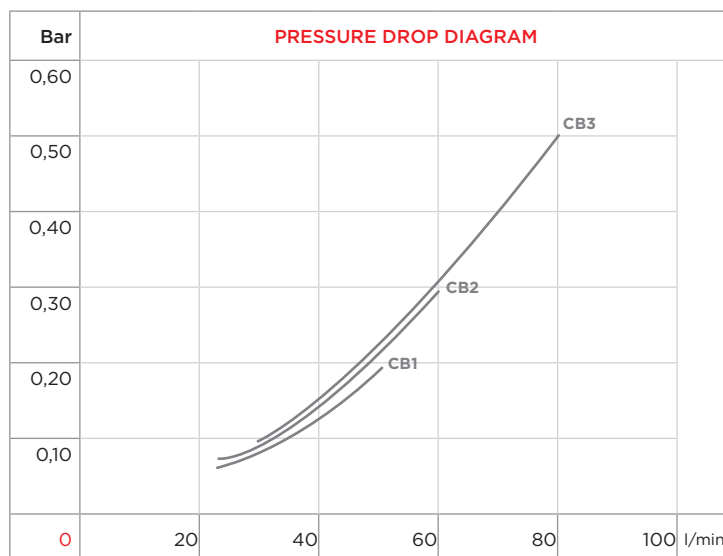
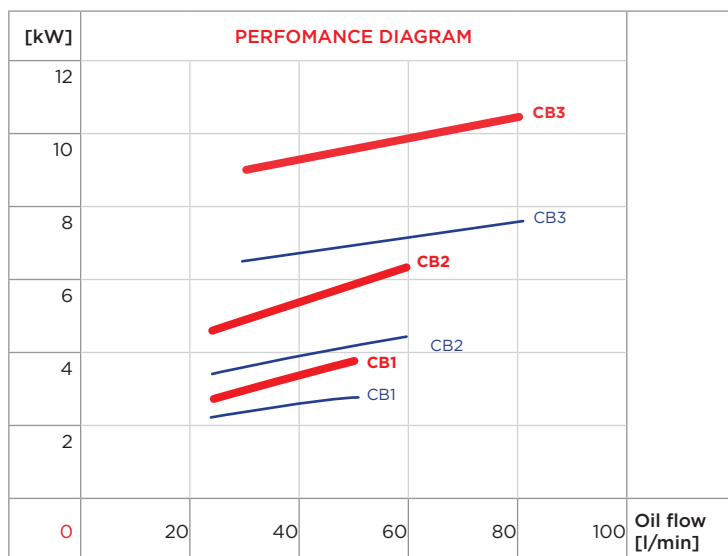
WATER FLOW RATE:



T60: CB1 CB2 CB3



T80: CB1 CB2 CB3



$\Delta T_m$	10	15	20	25	30	35	40
f	2,5	1,67	1,25	1	0,83	0,71	0,63

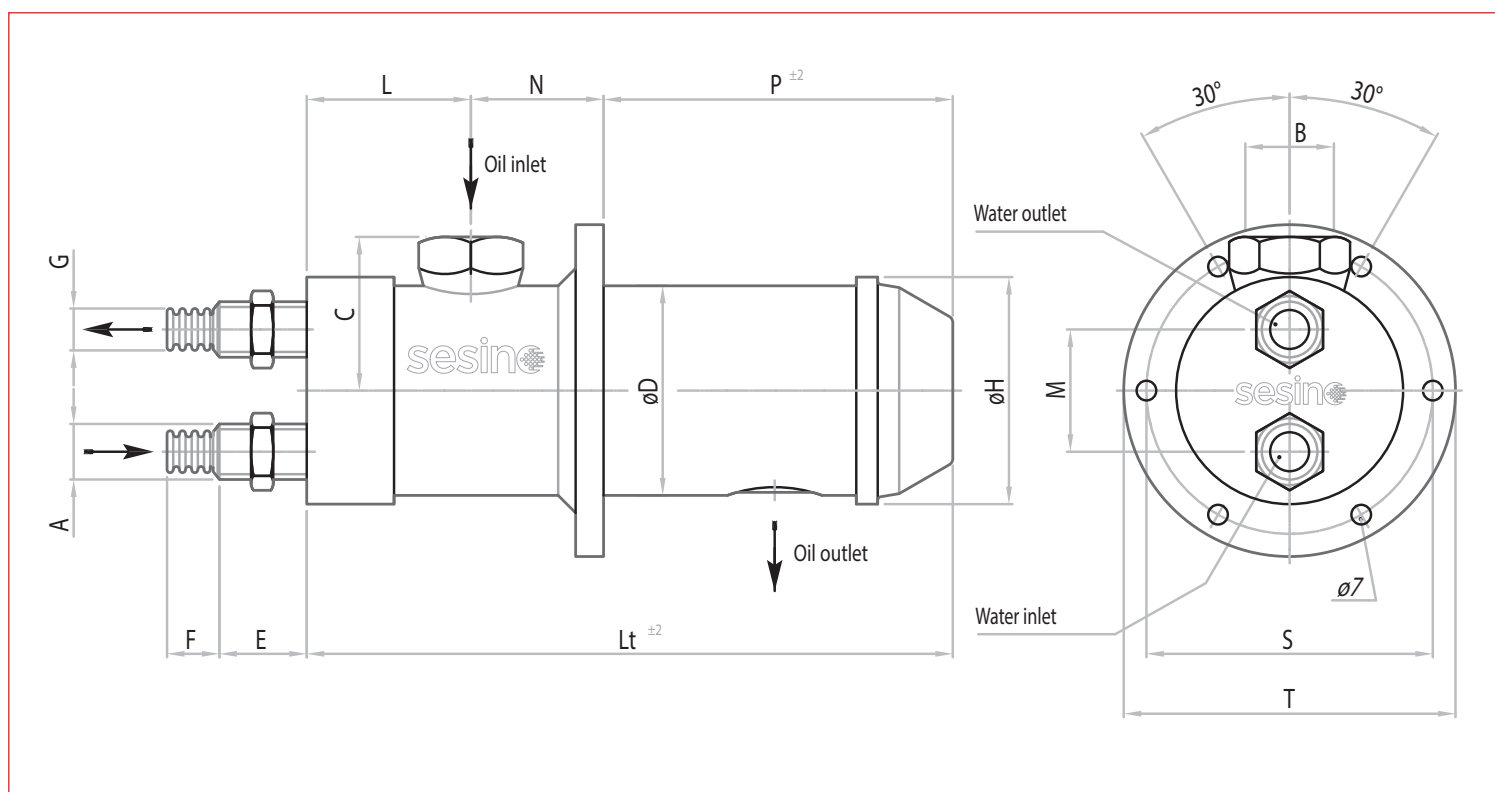
cSt	22	30	46	68	100	150	220
f	0,4	0,6	1	1,5	2,3	3,3	4,6



CONSTRUCTION MATERIALS		
SHELL	TUBES	END COVERS
BRASS*	COPPER*	/

\*standard

- Dimensions and technical characteristics are not binding



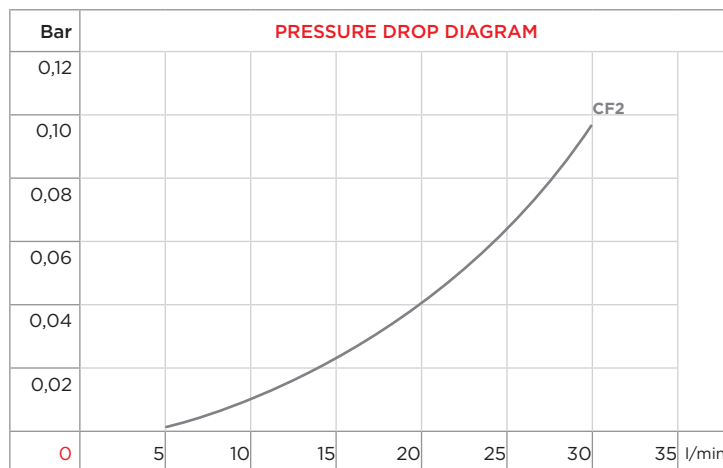
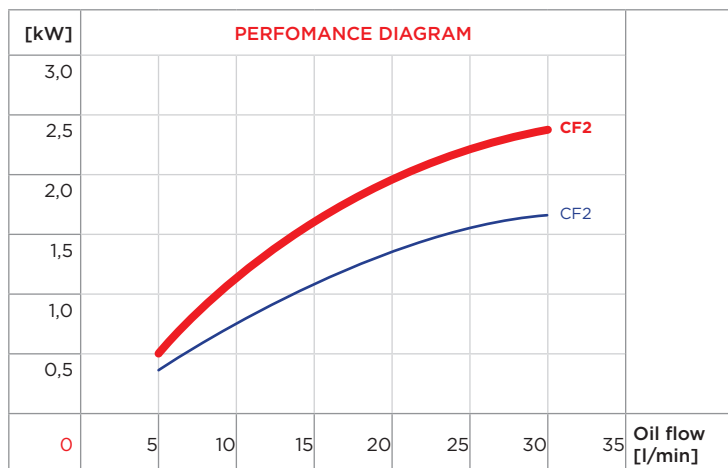
TYPE	CODE	OIL FLOW l/min	WATER FLOW l/min	kW MIN water flow		kW MAX water flow		WEIGHT kg	Lt	D	DIMENSIONS												
				ΔTm 25° C	ΔTm 25° C	ΔTm 25° C	ΔTm 25° C				A	B	H	P	G	S	T	N	M	C	L	F	E
T60 CF2	2SC60CF2	5-30	7,5 - 30	0,35	1,6	0,5	2,4	2,1	285	60	3/8" gas	1/2" gas	65	100	12	82	95	38	35	47	47	17	20



WATER FLOW RATE:



CF2



**CORRECTION FACTOR**

$\Delta T_m$	10	15	20	25	30	35	40
f	2,5	1,67	1,25	1	0,83	0,71	0,63

**CORRECTION FACTOR**

cSt	22	30	46	68	100	150	220
f	0,4	0,6	1	1,5	2,3	3,3	4,6