

FLOW CONTROL VALVES

FT1251/5-01

21 MPa (210 bar)

1 DESCRIPTION

Flow control valves, needle type 1-way flow control, adjustable. BSP thread ports for in-line assembly. Brass body, poppet and spring in steel
Maximum operating pressure: 210 bar. High adjustment accuracy due to its precision hand-grip with locking screw



2 ORDERING CODE

| | | | | | | | |
|-----|------|---|---|---|-----|---|-----|
| (1) | | | | | (2) | | (3) |
| FT | 1251 | / | 5 | - | S | - | |

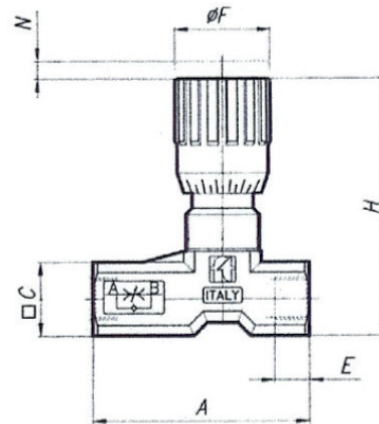
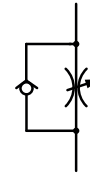
(1) FT251/5: 1 way flow control valve needle type, brass body

(2) S: special variant

(3) dimensions:

- 14: Ports 1/4" BSP, Qmax 16 l/min,
A 56 - C 17 - E 12 - ØF 22 - H 61 - M 4,5
- 38: Ports 3/8" BSP, Qmax 30 l/min,
A 64,5 - C 22 - E 13 - ØF 27 - H 74 - M 7
- 12: Ports 1/2" BSP, Qmax 60 l/min,
A 87 - C 27 - E 16 - ØF 33 - H 85,5 - M 10

(subject to technical and dimensional changes without notice)



3 TYPICAL DIAGRAMS

