

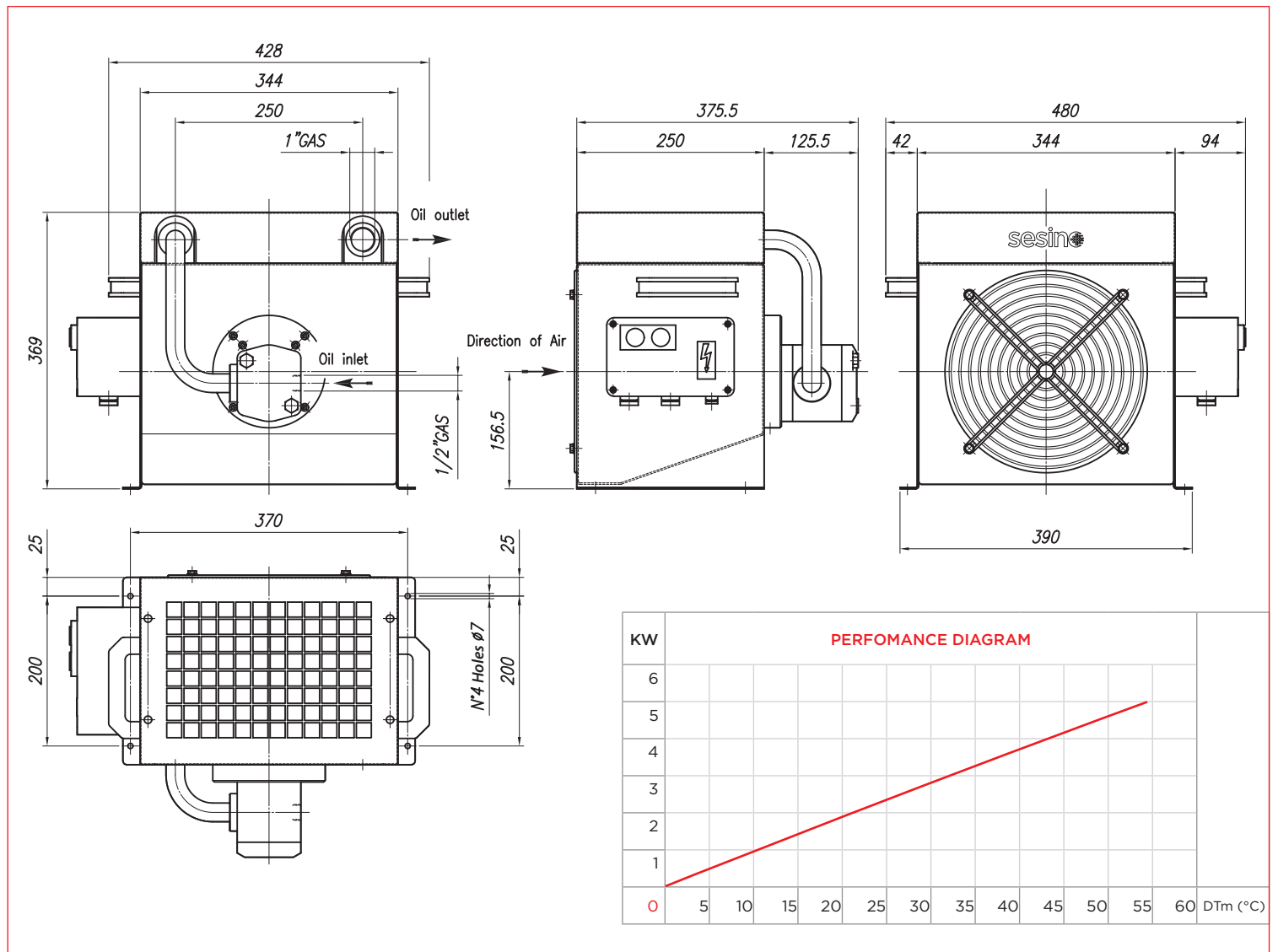
PURCHASE CODES

RAS 1000 without thermo-switch	3RRAS1000
RAS 1000 with thermo-switch	3RRAS1000T

SPARE PARTS

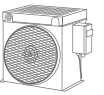
Electronic thermo-switch	1TRM RAS
2m thermo-switch probe	1SND RAS
4m thermo-switch probe	1SND ROC4M
Oil filter	1FTR MPS50
Electric junction box	1CSSDSAR336
Cooling element	1RO03378
Cooling element protection grill	3TLPRAS1000.1
Housing	3TLRAS1000.1
Fan	1GRAS1000
Fan grill	3RTRAS1000.1
Pump	1PORAS3000
Electric motor	1MRAS3000

- Dimensions and technical characteristics are not binding



OIL FLOW	VOLTAGE		HZ	POWER	CURRENT	ELECTRICAL PROTECTION	AIR FLOW	NOISE LEVEL	WEIGHT
l/min	Δ	Y		W	A	IP	m³/h	dB(A)	kg
13	220-240	380-420	50	550	2,80-1,60	55	850	68	18
13	254-280	440-480	60	640	2,80-1,60	55	850	68	18

RAS 5000



PURCHASE CODES

RAS 5000 without thermo-switch	3RRAS5000
RAS 5000 with thermo-switch	3RRAS5000T

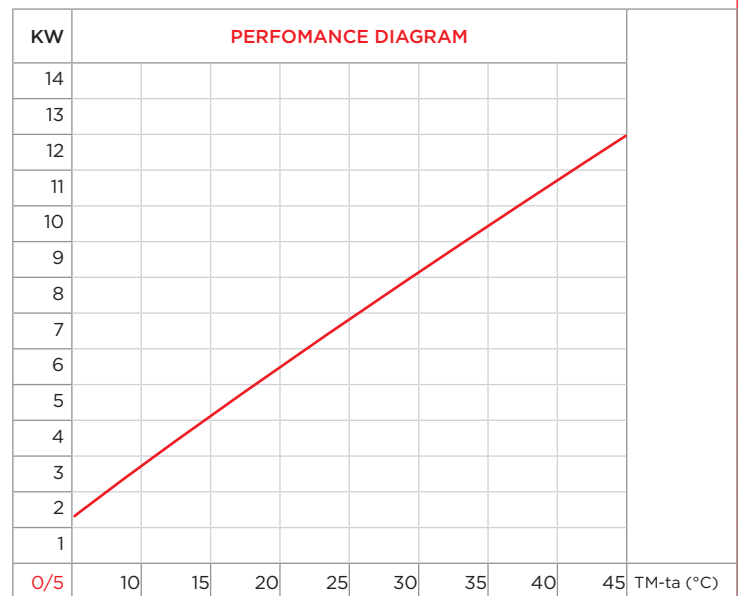
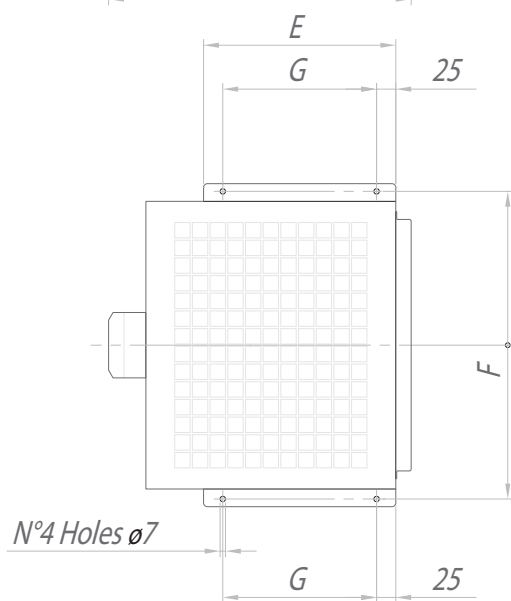
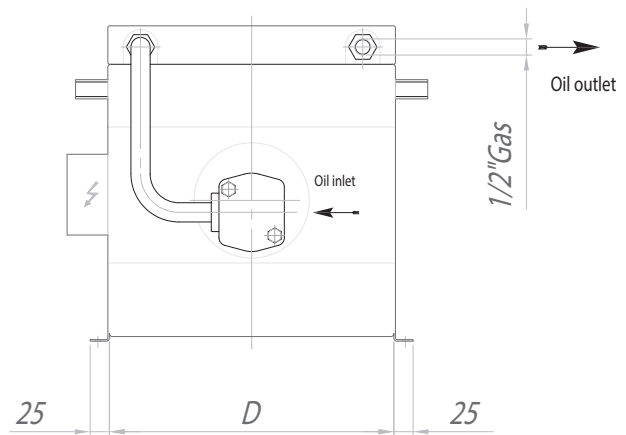
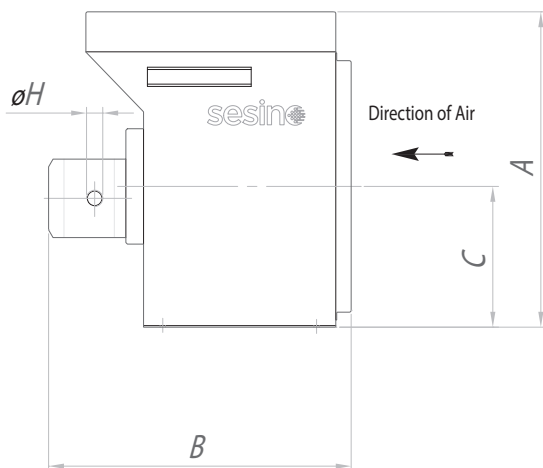
SPARE PARTS

Electronic thermo-switch	1TRM RAS
2m thermo-switch probe	1SND RAS
4m thermo-switch probe	1SND ROC4M
Oil filter	1FTR MPS50
Electric junction box	1CSSDSAR336
Cooling element	1RONO3
Cooling element protection grill	3TLPRAS5000.1
Housing	3TLRAS5000.1
Fan	1GRAS5000
Fan grill	3RTRAS5000.1
Pump	1PORAS5000
Electric motor	1MRAS5000

DIMENSIONS

A	B	C	D	E	F	G
450	405	203	470	250	500	200

- Dimensions and technical characteristics are not binding



OIL FLOW	VOLTAGE		HZ	POWER	CURRENT	ELECTRICAL PROTECTION	AIR FLOW	NOISE LEVEL	WEIGHT
l/min	Δ	Y		W	A	IP	m³/h	dB(A)	kg
22	230-240	380-420	50	750	3,5-2,0	55	1.500	70	36
22	254-280	440-480	60	750	3,5-2,0	55	1.500	70	36



PURCHASE CODES

RAS 3000 without thermo-switch	3RRAS7000
RAS 3000 with thermo-switch	3RRAS7000T

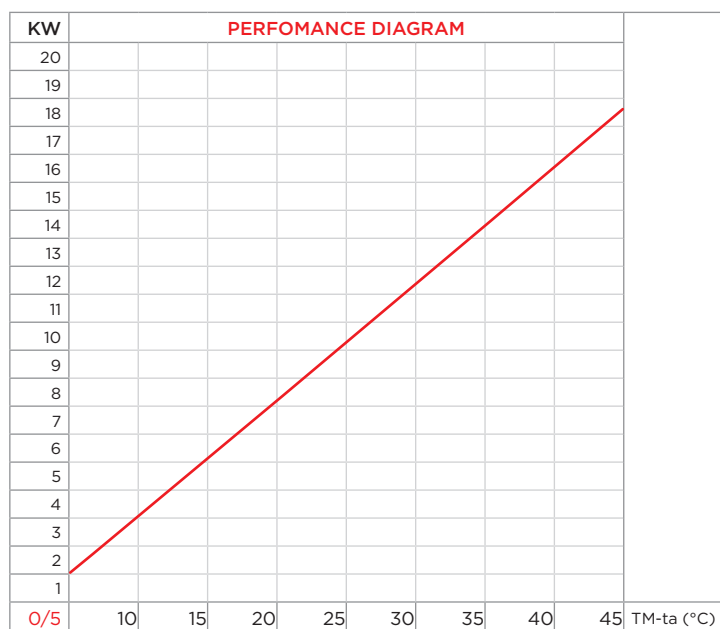
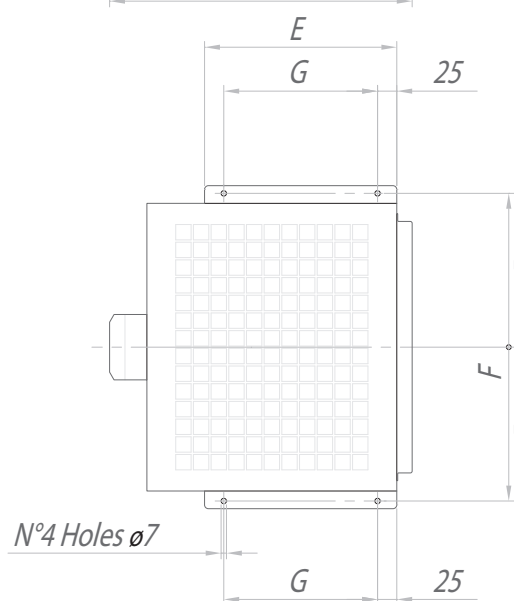
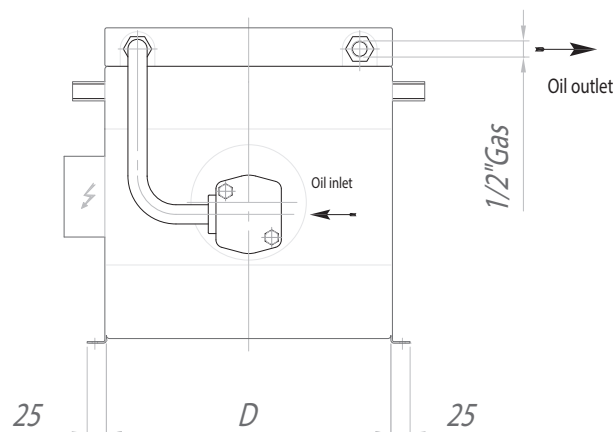
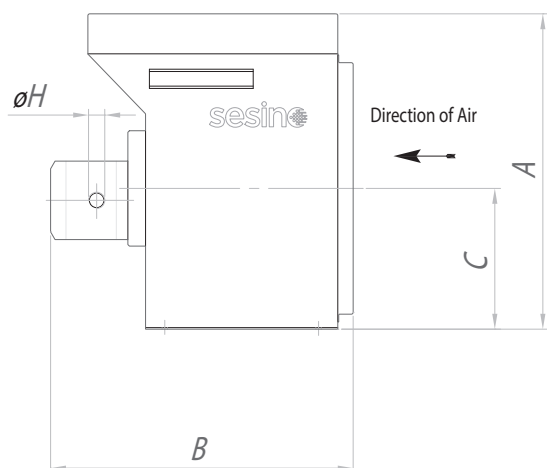
SPARE PARTS

Electronic thermo-switch	1TRM RAS
2m thermo-switch probe	1SND RAS
4m thermo-switch probe	1SND ROC4M
Oil filter	1FTR MPS50
Electric junction box	1CSSDSAR336
Cooling element	1RONO4
Cooling element protection grill	3TLPRAS7000.1
Housing	3TLRAS7000.1
Fan	1GRAS7000
Fan grill	3RTRAS7000.1
Pump	1PORAS7000
Electric motor	1MRAS7000

DIMENSIONS

A	B	C	D	E	F	G
495	455	225	520	290	550	240

- Dimensions and technical characteristics are not binding



OIL FLOW	VOLTAGE		HZ	POWER	CURRENT	ELECTRICAL PROTECTION	AIR FLOW	NOISE LEVEL	WEIGHT
l/min	Δ	Y		W	A	IP	m³/h	dB(A)	kg
34	230	400	50	1100	4,5-2,6	55	2.000	75	58
34	254	440	60	1300	4,6-2,7	55	2.000	75	58

